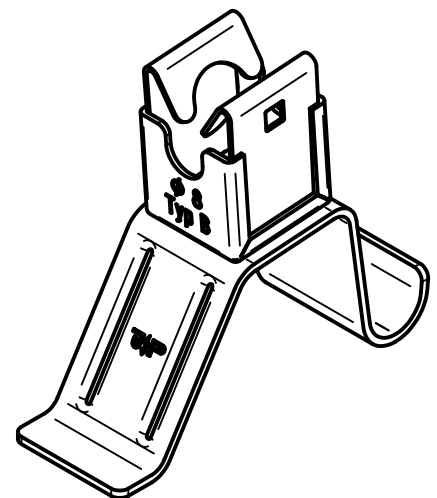
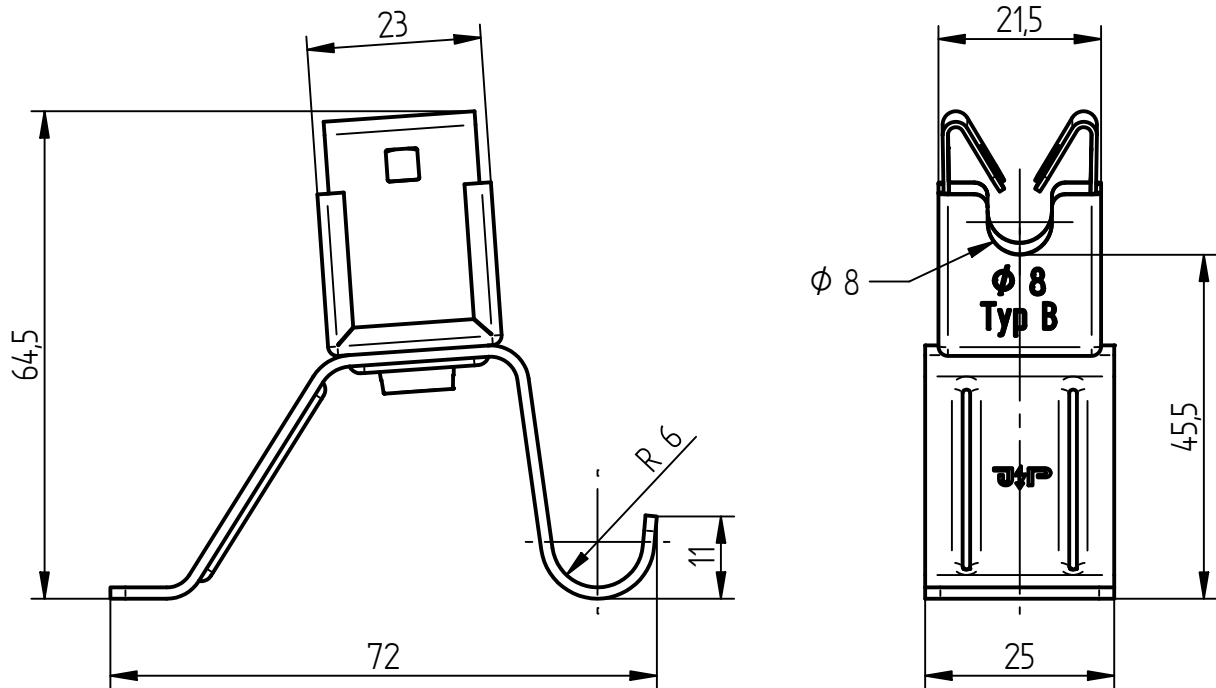


Product Specification

Ord.-No.: **111 453**

Specification: Roof conductor holder, V2A, Ø 8mm type B for interlocking tiles

Performance: Roof conductor holder according to DIN EN 62561-4 for hooking into interlocking tiles.
Type with Niro-Clip conductor fastener.



Material of bottom part	Stainless steel V2A
Material of conductor fastener	Stainless steel V2A
Height of conductor leading	45,5 mm
Fit of conductor fastener	Ø 8 mm
Conductor leading	loose, type B
Weight	62 g
Standard reference	DIN EN 62561-4
Packing unit	100 units